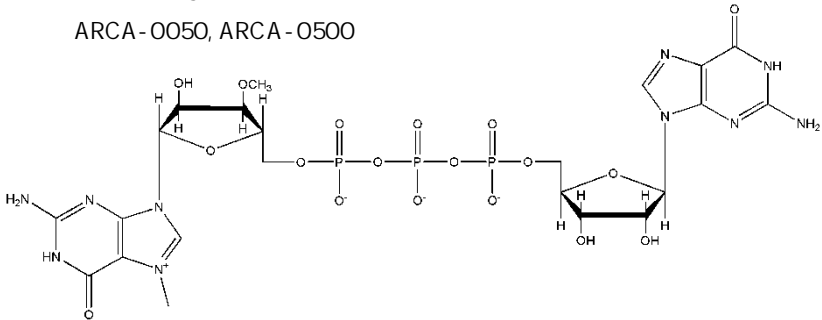


**ARCA**

ARCA - 0050, ARCA - 0500



m27,3'-O G (5')ppp(5')G, 3'-O-Me-m7G (5')ppp(5')G

( ) : C<sub>22</sub>H<sub>31</sub>N<sub>10</sub>O<sub>18</sub>P<sub>3</sub>  
 ( ) : 816,46 /

ARCA

100

96%.

*in vitro*

ARCA-0050		100	50
ARCA-0500	ARCA		500

-20°